

.. EASY LIFE IN WORKSHOP ..



DigiSTOP can be configured at any time to be used on the right or left of the miter saw

DigiSTOP4.0 is a technologically advanced ELECTRONIC LENGTH STOP that allows precise positioning of aluminium, wood and PVC bars
The positioning of the fence is carried out by a stepper motor integrated in the carriage and is managed by an electronic control unit which allows a fast and accurate positioning.
Available Length 3000 /4000 /5000 / 6000 mm

The machine is " reversible ", can be installed on the left or right side of the mitre saw.

DigiSTOP is available in R version with rollers on the working plane
DigiSTOP "M" is the version with magnetic measurement system that allows a " closed loop positioning of the fence " and with the highest precision



CLOUD SERVICE FOR OUR MACHINES



WEB BASED MACHINES SUPERVISION

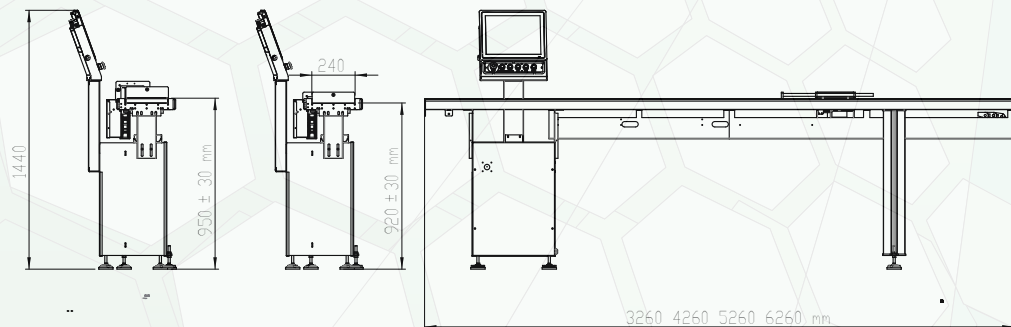
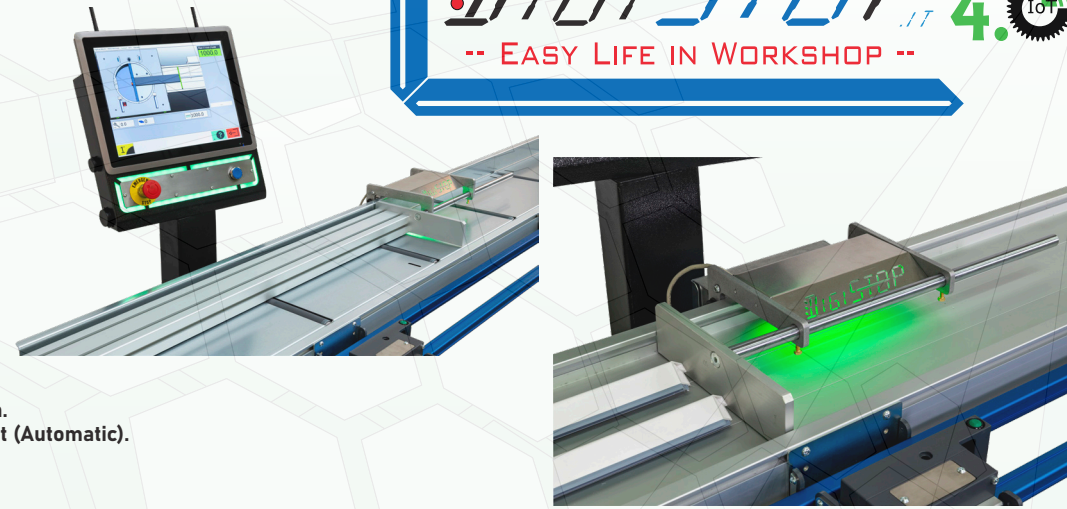
- Industrial PC 15" Touch screen WINDOWS 10 IoT
- Wi-Fi and Ethernet AS STANDARD
- DigiCLOUD Service for a continuous data saving
- Remote service simplex and effective.
- The on-line contextual help informs the operator about the machine controls and, in case of failures, offers a troubleshooting service guiding the operator to solve the problem with photos and electrical pneumatic diagrams directly on the screen.

DigiSTOP 4.0 is controlled by a 15" Touch Screen Industrial PC connected to PLC cards. The Windows 10 IoT Industrial operating system combines the simplicity of the Windows environment with the stability of systems intended for production environments. The DigiSTOP control unit integrates an advanced radio interface that is able to create and manage a robust radio network in the whole workshop. All the products of the DigiFAMILY family are able to use this network to exchange information. Integration with the DigiBAR 4.0 electronic gauge is the most common and easiest way to work with the DigiSTOP4.0 length stop: a cutting list is generated in real time on the screen during the measurement cycle. The new color touch screen contains all the information the operator needs during the work cycle, the colored areas clearly and immediately indicate the status of the machine.

DigiSTOP 4.0 is a CONNECTED MACHINE. Configurations, workshop data, parameters and production data are constantly saved on the new DigiCLOUD platform. This service allows you to minimize restart times in the event of hardware and software problems.

- The software allows you to:
- Manual insertion of measurements from interface (semi-automatic)
 - Automatic removal of the stop after each cut to facilitate the removal of the piece.
 - Receive the cutting / clamping signal (optional) from the miter saw and display its status on the screen.
 - Radio reception of the measurements from the DigiBAR electronic gauge and creation of the cutting list (Automatic).
 - Perform positioning cycles while receiving measurements
 - Loading of the cutting list via USB memory.
 - Reception from the Ethernet / Wi-Fi network of the cutting list.
 - Add, delete and edit any row at any time.
 - Skip from one line to another
 - Manage the Head cutting
 - Machine data recovery saving on DigiCLOUD platform
 - Consultation / export of production data / machine status (in compliance with Industry 4.0 protocols) *
- (* Requires activation and subscription)

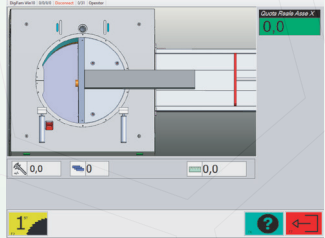
Electronic	
Control unit (HMI)	Indust PC. 15" Touch Screen SSD Win 10 IoT
Radio Interfaces (DigiBAR comun.)	Integrated
USB for external input device / pen drive	Integrated
WI-FI	integrated
Ethernet	integrated
Cut signal (from Saw)	(opt)
Clamp signal (from Saw)	(opt)



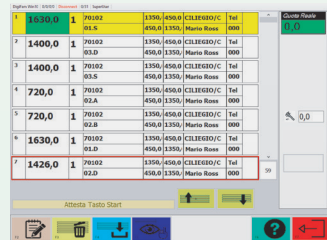
Intuitive software with use of icons and function keys



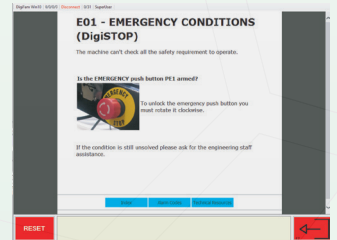
"Manual" execution of pieces



Execution of Cut Lists created with the DigiBAR gauge or received from Network / USB. For each line it is possible to view the order data, bar code, etc.



The contextual help integrates the Troubleshooting function



Configuration	To the left or to the right of Mitre Saw
Working plane height	920mm +/-30mm(950mm+/- 30m "R")
Maximum and minimum measure adjustable	0-3000/4000/5000/6000 mm
Weight	105 Kg 121 Kg3000 mm "R"
Power supply	Single phase 230 V 50/60 Hz
Carriage movement	Stepper motor (magnetic encoder feedback on "M" version)
Carriage speed	50 mt/min
Accuracy	+/- 0.3mm +/- 0.1mm M Version

Professional **M**achines **S**ervice

Via R.Busoni, 22 EMPOLI (FI)
Tel. e Fax 0039 0571 930250
Cell. 0039 340 9478055
info@digistop.it
www.digistop.it